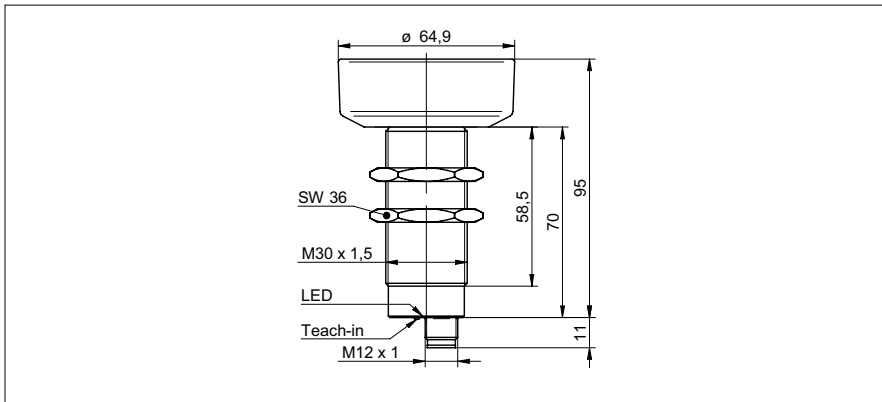


Ultrasonic proximity sensors

UZAM 70N8131/S14C

dimension drawing



general data

special type	2 point proximity switch
scanning range sd	600 ... 6000 mm
scanning range far limit Sde	600 ... 6000 mm
hysteresis typ.	4 % Sde
repeat accuracy	< 3 mm
temperature drift	< 2 % Sde
response time ton	< 240 ms
release time toff	< 240 ms
sonic frequency	80 kHz
adjustment	Teach-in
alignment aid	target indication flashing
output indicator	green / yellow LED

electrical data

voltage supply range +Vs	12 ... 30 VDC
current consumption max. (no load)	40 mA
output circuit	NPN make function (NO) / break function (NC)
output current	< 200 mA
voltage drop Vd	< 2 VDC
residual ripple	< 10 % Vs
short circuit protection	yes
reverse polarity protection	yes

mechanical data

type	cylindrical threaded
housing material	brass nickel plated
width / diameter	30 mm
height / length	95 mm
connection types	connector M12

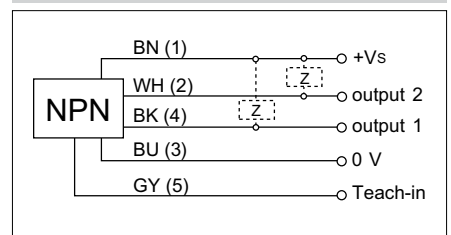
ambient conditions

operating temperature	-25 ... +60 °C
protection class	IP 67

photo



connection diagram



- Two separate outputs
- long sensing distance
- NO/NC, programmable